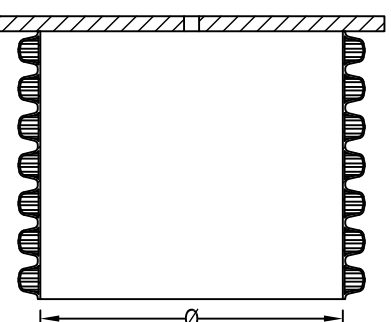
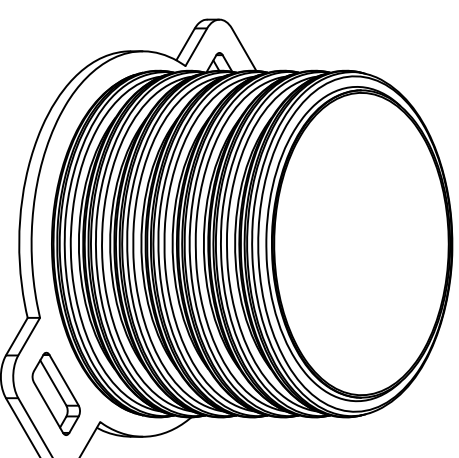


**PLAN VIEW**  
Scale (1:20)



**SECTION A-A**  
Scale (1:20)



**ISOMETRIC VIEW**

RIDGISEWER INSTALLATION STUB			
Ø	OD (mm)	Weight (kg)	Product Codes
400	700	8	PFRSW400
450	757	10	PFRSW450
500	800	12	PFRSW500
600	940	16	PFRSW600

**NOTE:**

The diameter "Ø" of the installation stub relates to the equivalent laid pipe diameter "Ø".

**NOTES**

1. Drawings should not be scaled, refer to figured dimensions only.
2. All dimensions in millimetres, unless otherwise stated.
3. All dimensions are nominal and may vary within manufacturing or construction tolerances.
4. All site temporary and enabling works by others.
3. Polypipe products to be installed in accordance with Polypipe Civils recommendations (refer to Polypipe technical guidance for further information), giving due consideration to the requirements of the organisation who will take ultimate ownership of the installation.
4. This drawing is intended for guidance only. Confirmation of the information contained within this document should be sought from the consulting engineers before final design or construction activities commence.
5. Actual items weights may vary due to manufacturing tolerances.

REV	AMENDMENT	DATE



Polypipe Civils  
Charnwood Business Park  
North Road, Loughborough  
Leicestershire, LE11 1LE  
Tel: 01509 615100  
Fax: 01509 615215  
www.polypipe.com/civils

**SEWER STANDARD DETAILS**

**INSTALLATION STUBS**

PROJECT NAME		STATUS	
PROJECT TYPE		FOR INFORMATION	
SCALE		SHEET NO.	DRAWN BY
AS SHOWN		1 of 1	KT
DRAWING NO.		DATE	REV.
SWR_SD_003		03/07/2018	-

The information in this document is of an illustrative nature and is supplied by Polypipe Civils without charge. This document does not form the whole or any part of a contract or intended contract with the user. The information within this document should not be solely relied upon to determine the suitability or installation requirements of our products for a proposed application and expected site conditions; expert advice should be sought in this respect. Final determination of the suitability of any information or material for the use contemplated and the manner of use is the sole responsibility of the user and the user must assume all risk and liability in connection therewith. Further information with regard to liabilities may be found at [www.polypipe.com/disclaimer](http://www.polypipe.com/disclaimer).