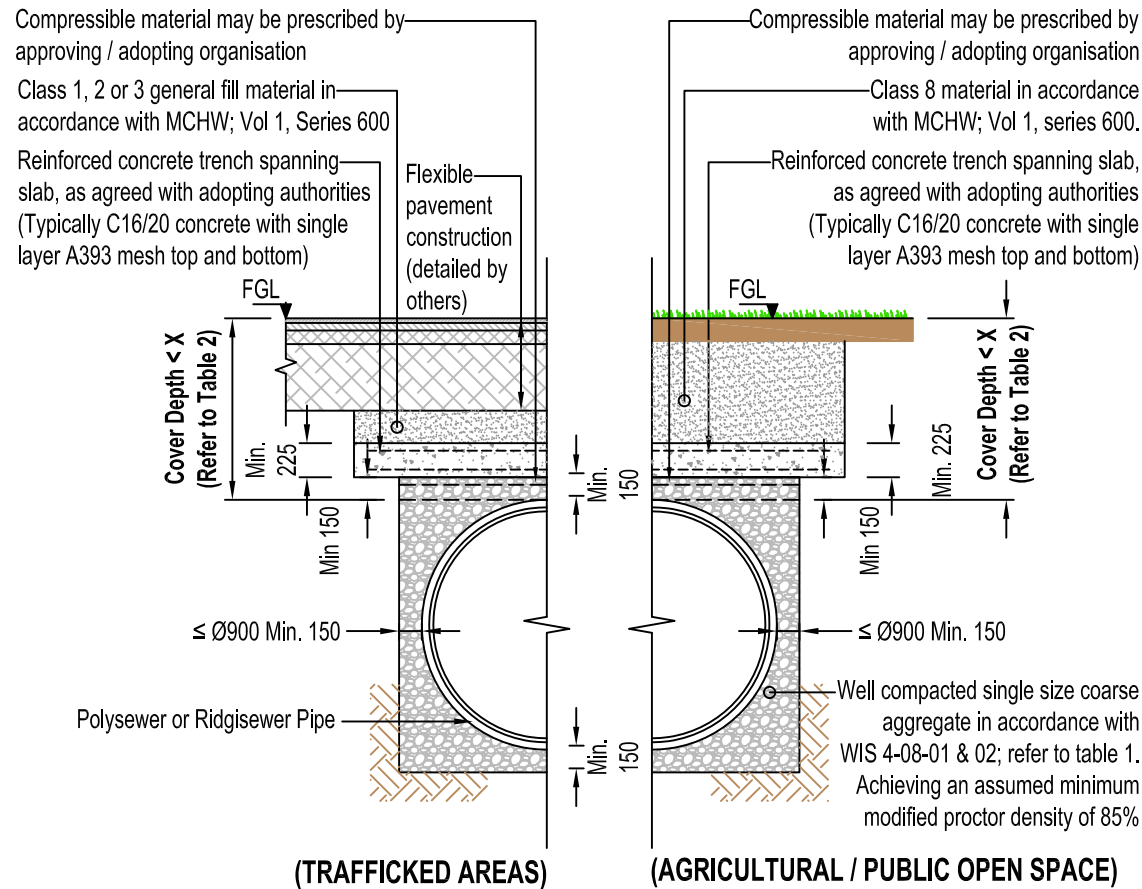
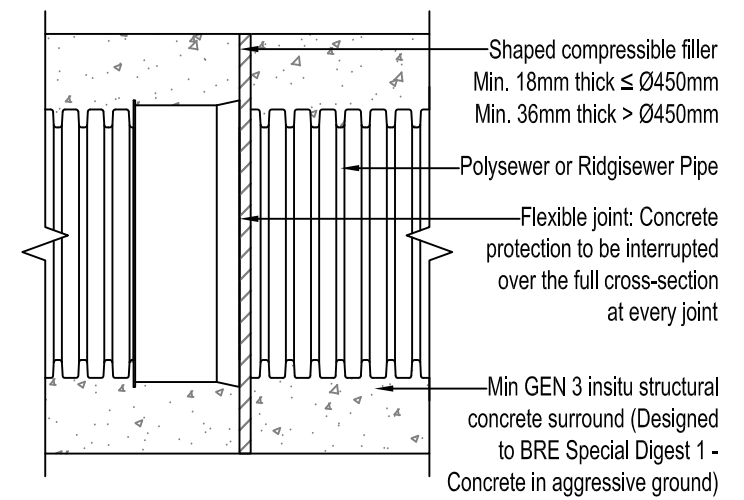


SINGLE PIPE INSTALLATION TYPICAL SECTION



SINGLE PIPE INSTALLATION WITH PROTECTIVE COVER SLAB TYPICAL SECTION



FULL CONCRETE SURROUND JOINT DETAIL

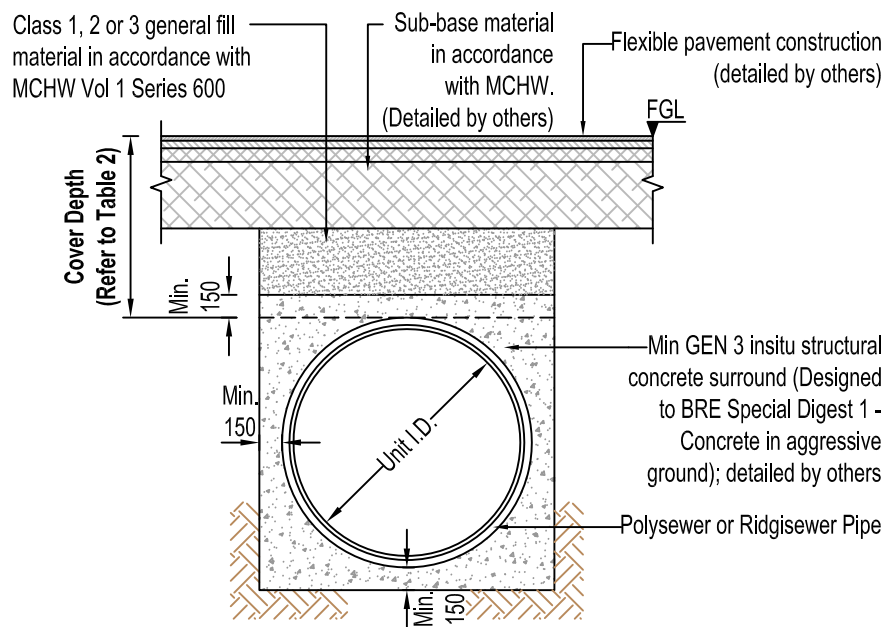
Scale (1:10)

NOTE - SPECIFICATION DOCUMENT

1. This typical detail should be read in conjunction with CESWI or SFA7 where appropriate; taking due consideration to any additional requirements of the sewerage undertaker.

DRAWING NOTES

1. All dimensions in millimetres, unless otherwise stated.
2. All dimensions are nominal and may vary within manufacturing or construction tolerances.
3. All site temporary and enabling works by others.
4. Polys sewer and / or Ridgise wer is to be installed in accordance with Polypipe Civils recommendations (refer to Polypipe technical guidance for further information); giving due consideration to the requirements of the organisation who will be taking the ultimate ownership of the installation.
5. Dimensions are based on a stiffness class of SN8 for $\text{Ø}100\text{mm}$ - $\text{Ø}600\text{mm}$ and SN4 for $\text{Ø}750\text{mm}$ and $\text{Ø}900\text{mm}$; corresponding to the standardised pipe profiles current at the time of this drawing's issue.
6. This drawing is intended for guidance only. Confirmation of the information contained within this document should be sought from the consulting engineers before final design or construction activities commence.
7. Unless otherwise stated, all Polys sewer and / or Ridgise wer is supplied to site without direct means of lifting incorporated. The lift supervisor must assess and plan the lift, in the circumstances of the lift, and provide slings and / or other controls as deemed necessary to ensure a safe lift.
8. Minimum and maximum cover depths are applicable and dictated by the expected native ground conditions, trafficking and proposed Polys sewer and / or Ridgise wer pipe specification.



SINGLE PIPE INSTALLATION WITH FULL CONCRETE SURROUND TYPICAL SECTION

Table 1 - Typical Pipe Bed & Surround Coarse Aggregate Material Grading

Product	Pipe Size [mm]	Material Grading [BS EN 13242, Clause 4.3.2]
Polys sewer	150	4/10 or 6/14
	225 & 300	4/10, 6/14 or 10/20
Ridgise wer	400, 450 & 500	4/10, 6/14, 10/20 or 20/40
	600, 750 & 900	4/10, 6/14, 10/20 or 20/40

NOTES

1. Coarse aggregate materials shall be in accordance with the relevant provisions of BS EN 13242; as detailed within WIS 4-08-02 amendment (Nov 2008), Tables A4 & 5.
2. Alternative pipe bed & surround material specifications shall not be used without prior written approval from the overseeing engineer.

Table 2 - minimum cover depths without protective measures

Vehicle Loading Classification (Description of Typical Installation Location)	Min Cover Depth (Dim - X mm) ^{1) 2)}
No vehicle access [Domestic garden & pathways]	350
Height restricted vehicle access with GVW $\leq 7,500$ Kg [Domestic driveway and parking areas]	500
Limited access for vehicles with VW $> 7,500$ Kg [Domestic driveway, parking areas & narrow streets without footways]	900
Agricultural land & Public open Space	900
Unrestricted vehicle access (GVW $> 7,500$ Kg) [Highways and unrestricted parking areas]	1200

NOTES

1. Minimum cover depths subject to a detailed structural assessment, undertaken by a suitably qualified engineer, taking into account proposed pipe specification, expected ground conditions and vehicle traffic loading.
2. Where the minimum prescribed cover depths for installations using a granular bed & surround detail can not be achieved, protective measures should be considered (e.g. protective concrete cover slab), unless it can be demonstrated by structural calculation that additional measure are not required. Where cover depths less than those stated above are proposed, the sewerage undertaker should be consulted prior to commencing detailed design work or construction activities.

The information in this document is of an illustrative nature and is supplied by Polypipe Civils without charge. This document does not form the whole or any part of a contract or intended contract with the user. The information within this document should not be solely relied upon to determine the suitability or installation requirements of our products for a proposed application and expected site conditions; expert advice should be sought in this respect. Final determination of the suitability of any information or material for the use contemplated and the manner of use is the sole responsibility of the user and the user must assume all risk and liability in connection therewith. Further information with regard to liabilities may be found at www.polypipe.com/disclaimer.



Polypipe Civils
Charmwood Business Park
North Road, Loughborough
Leicestershire, LE11 1LE
Tel: 01509 615100
Fax: 01509 615215
www.polypipe.com/civils

PROJECT NAME	RIDGISEWER STANDARD DETAILS			STATUS	FOR INFORMATION		
PROJECT TYPE	TYPICAL SINGLE SEWER PIPE INSTALLATION			SHEET SIZE	SHEET NO.	DRAWN BY	
				A3	1 of 1	BM	
				SCALE	DATE		
				AS SHOWN	06/11/17		
				DRAWING NO.	REV.		
				RSW_SD_001	-		