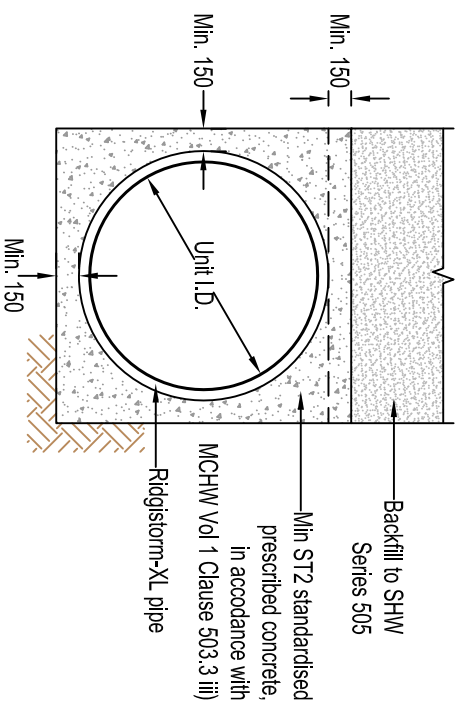


SINGLE PIPE INSTALLATION TYPICAL CROSS SECTION

Scale (1:50)



SINGLE PIPE INSTALLATION WITH FULL CONCRETE SURROUND TYPICAL CROSS SECTION

Scale (1:50)

Table 5/3 - BS EN 13242, Coarse aggregate for pipe bedding, haunching and surrounding material

BS EN 13242, Coarse aggregate (Clause 4.3.2)		
Category for general grading requirements	G _c 80-20	
Category for tolerances at mid-sized sieves	G _T ^{net} (no requirements)	
Category for maximum values of fines content	Gravel - f _{1.5} Crushed rock, recycled aggregate - f ₄	
Nominal pipe diameter (mm)	Aggregate size (mm)	
	Graded	Single sized
Not exceeding 140	-	4/10
Exceeding 140 but not exceeding 400	2/14 or 4/20	4/10, 6/14 or 10/20
Exceeding 400	2/14, 4/20 or 4/40	4/10, 6/14, 10/20 or 20/40

NOTES

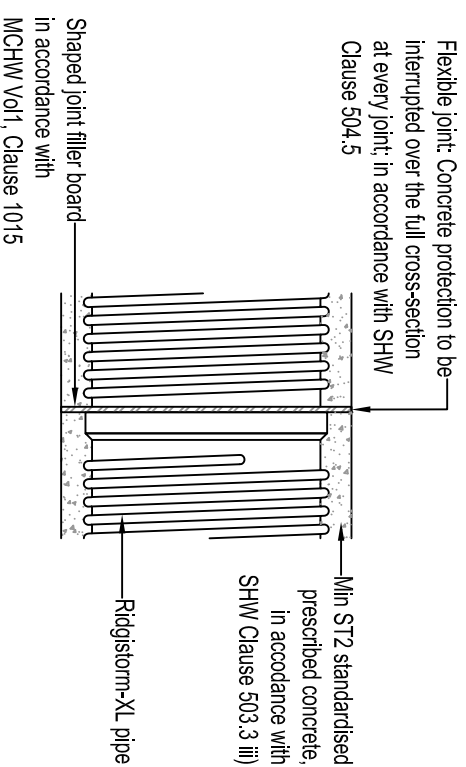
1. Coarse aggregate materials shall be in accordance with the relevant provisions of MCHW, Volume 1, Series 500, Clause 503.
2. Where alternative pipe bed & surround material specification(s) are proposed, these should be agreed with the overseeing engineer before final design or installation activities commence.

NOTE - SPECIFICATION DOCUMENT

For dimensions please refer to Polypipe Civils Technical Literature and the Manual of Contract Documents for Highway Works.

NOTES

1. All dimensions in millimetres, unless otherwise stated.
2. All dimensions are nominal and may vary within manufacturing or construction tolerances.
3. All site temporary and enabling works by others.
4. Ridgistorm-XL units to be installed in accordance with Polypipe Civils recommendations (refer to Polypipe technical guidance for further information); giving due consideration to the requirements of the organisation who will be taking ultimate ownership of the installation.
5. Dimensions are based on a minimum stiffness class SN2 pipe; corresponding to the standardised pipe profiles current at the time of this drawing's issue.
6. This drawing is intended for guidance only. Confirmation of the information contained within this document should be sought from the consulting engineers before final design or construction activities commence.
7. Unless otherwise stated, all Ridgistorm-XL is supplied to site without direct means of lifting incorporated. The lift supervisor must assess and plan the lift, in the circumstances of the lift, and provide slings and/or other controls as deemed necessary to ensure a safe lift.
8. Minimum and maximum cover depths applicable, dictated by the expected native ground conditions, trafficking and proposed Ridgistorm-XL pipe specification.



FULL CONCRETE SURROUND (JOINT DETAIL)

Scale (1:50)



Polypipe Civils

Charmwood Business Park,
North Road, Loughborough,
Leicestershire, LE11 1LE

Tel: 01509 615100
Fax: 01509 615215
www.polypipe.com/civils
www.polypipe.com/wms

PROJECT

RIDGISTORM-XL STANDARD DETAILS

STATUS
FOR INFORMATION

DATE

16/03/16

DRAWN BY

JL

ORIGINAL SIZE

A3

SCALE

AS SHOWN

TITLE
TYPICAL SINGLE SURFACE WATER DRAIN

INSTALLATION

DRAWING NO.

RST_SD_004

REV.

The information in this document is of an illustrative nature and is supplied by Polypipe Civils without charge. This document does not form the whole or any part of a contract or intended contract with the user. The information within this document should not be solely relied upon to determine the suitability or installation requirements of our products for a proposed application and expected site conditions; expert advice should be sought in this respect. Final determination of the suitability of any information or material for the use contemplated and the manner of use is the sole responsibility of the user and the user must assume all risk and liability in connection therewith. Further information with regard to liabilities may be found at www.polypipe.com/discclaimer.