

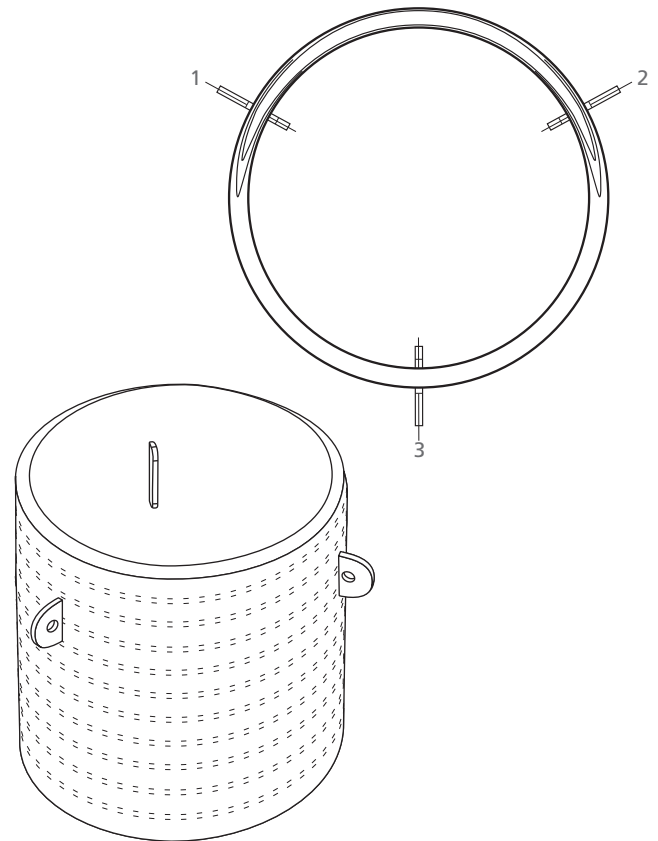
STANDARD, EXTENDED AND HEAVY DUTY LIFTING POINTS

The lift must be planned and carried out by a "competent person" as defined by the LEEA¹ and must be carried out under what are deemed the United Kingdom's normal ambient temperatures and environmental conditions (typically 0°C - 25°C).

Utilising all three lifting points (1,2,3) with a recommended included sling angle of 45° and a maximum included sling angle of 60°, a maximum nett chamber weight of 1500kg can be lifted with Standard and Extended lifting points or 2500kg with Heavy Duty lifting points, observing all relevant LOLER² regulations and guidance.

All responsibility for the lifting operation and lifting accessories lie with the competent person in charge of the lift, but it is recommended that a Pylon shackle and three leg chain sling with a suitable SWL [which are in good safe working order and are inspected prior to use] be used.

For any asymmetrical chambers, additional slings, or other suitable lifting equipment, will be needed to prevent the chamber swinging during the lift and it is the responsibility of the competent person to pre-assess, plan and supervise the lift, ensuring the right additional equipment is used where their assessment shows it is necessary.



Lifting Guidance

Pre-lift Information

- The chamber should not be lifted unless a lifting risk assessment has been carried out, and a safe lifting plan prepared. This will not, under any circumstances, be undertaken by a representative or employee of Polypipe.
- The Lifting Plan must be approved by the on-site designated competent person; under no circumstances can the designated competent person be a representative, employee or persons acting on behalf of Polypipe.
- The designated competent person must have read and understood this document before commencing with any lift of this product.
- If there is any doubt as to the understanding of the information provided with these products Polypipe should be consulted before commencing with any lift.
- The competent person must ensure that the nett weight of the chamber, as marked on the chamber, does not exceed 1500kg with Standard and Extended lifting points fitted or 2500kg with Heavy Duty lifting points fitted.
- All packaging should be removed from the product prior to any lift being carried out.
- These lifting instructions must be available at any time during the period that the product's lift is being conducted or planned.

Pre-lift Inspection

- At the point of delivery, the lifting points should be inspected for damage. If signs of damage are present e.g. weld cracks, whitening of the plastic at the weld interface etc, the lifting points should not be used.
- Before lifting, a check of the chamber should be carried out to ensure it is not filled with water, snow, other substance or additional objects that do not form part of the chamber as this will affect the nett weight of the product.

Environment/Surroundings

- The lifting points should not be left exposed to direct sunlight during periods of storage.
- Where doubt is present surrounding the definition of normal ambient temperature and environmental conditions found in the UK, please contact the Polypipe technical department for guidance.

¹ Lifting Equipment Engineers Association: 'Code of practice for the safe use of lifting equipment': Edition 6 May 2006: Section 1:1.2.2

² Lifting Operations and Lifting Equipment Regulations 1998.

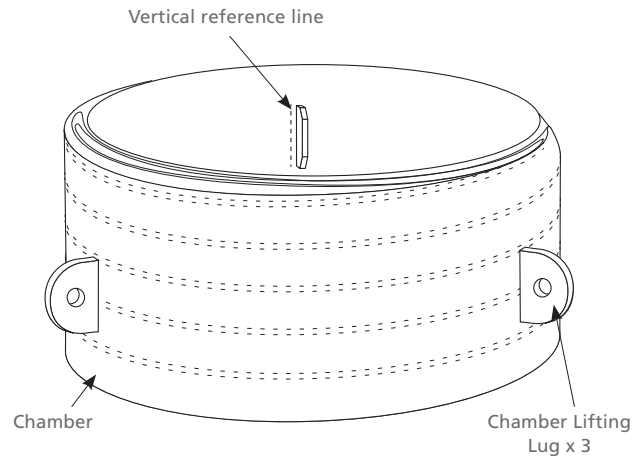
The Lift

- The chamber should be kept as close to the ground as possible, at all times during the lift. The competent person must ensure that no-one is stood under the chamber, or in close proximity to where the chamber being lifted could strike them, during the lifting and lowering operation.
WARNING – Danger to Life!
- The lifting of this product must only be conducted utilising ALL three or more lifting points, with additional slings or other lifting devices where the risk assessment undertaken by the competent person, deems them necessary.
- The lifting points supplied as part of this chamber may not be altered under any circumstances and then used to lift the chamber.
- Jolting and any other sharp movements of the chamber and/or lifting assembly during the raising and lowering of the chamber over rough ground is strictly prohibited.
WARNING – Risk of product failure!
- The chamber must be clear of all snags and outside interference, lifted in a space clear of trees and structures. The lifting points must never be used to pull a chamber out of a partially covered installation or to drag the chamber across the ground, etc.
- Where the Construction of the chamber results in an off-centre load the chamber could swing when only lifted by the three points provided. In this situation, the lift supervisor must assess and plan the lift, in the circumstances of the lift, and provide additional slings and/or other controls as deemed necessary to prevent swing and ensure a safe lift.
WARNING – Danger to Life!
- With the chamber suspended the weight of the chamber must be evenly distributed across all three (or more) points and additional slings and/or other controls must be used to ensure this.
- During a lift the chamber must remain level at all times. Level can be taken as the seam where the lifting lugs interact with the inner chamber wall remaining vertical at all times (equally the corresponding lift lugs outer vertical face can be used). To achieve this, the use of additional slings and/or other controls may be used.
- The lift must remain in control at all times.

Post Lift Guidance

- Once the lift has been carried out the lifting points must be cut off, if they interfere with the chambers installation.
 - Care should be taken to ensure the welds are not removed as this will affect the leak tightness of the chamber.
- The lifting points are for the lifting of the chamber they are attached to only.

Product Identification



IMPORTANT

All chamber lifts should be carried out by a 'competent person' under a site specific risk assessment and lifting plan, adhering to the "lifting instructions" contained within this document.

Polypipe are not liable for any lift carried out by a third party.

Technical Support

Detailed guidance and assistance is available. For further information, please contact our technical team on **+44 (0)1509 615 100** or email: wmsenquiries@polypipe.com

All descriptions and illustrations in this publication are intended for guidance only and shall not constitute a 'sale by description'. All dimensions given are nominal and Polypipe may modify and change the information, products and specifications from time to time for a variety of reasons, without prior notice. The information in this publication is provided 'as is' on August 2013. Updates will not be issued automatically. This information is not intended to have any legal effect, whether by way of advice, representation or warranty (express or implied). We accept no liability whatsoever (to the extent permitted by law) if you place any reliance on this publication you must do so at your own risk. All rights reserved. Copyright in this publication belongs to Polypipe and all such copyright may not be used, sold, copied or reproduced in whole or part in any manner in any media to any person without prior consent. Polypipe is a registered trademark of Polypipe. All Polypipe products are protected by Design Right under CDPA 1988. Copyright © 2013 Polypipe. All rights reserved.