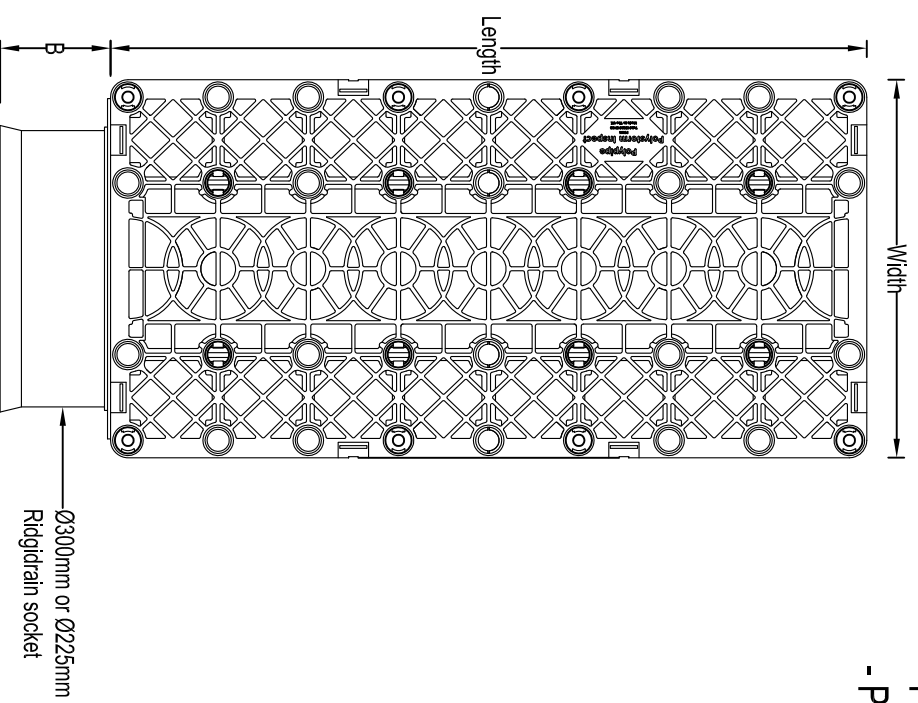


POLYSTORM INSPECT CELL COMPLETE WITH COUPLER

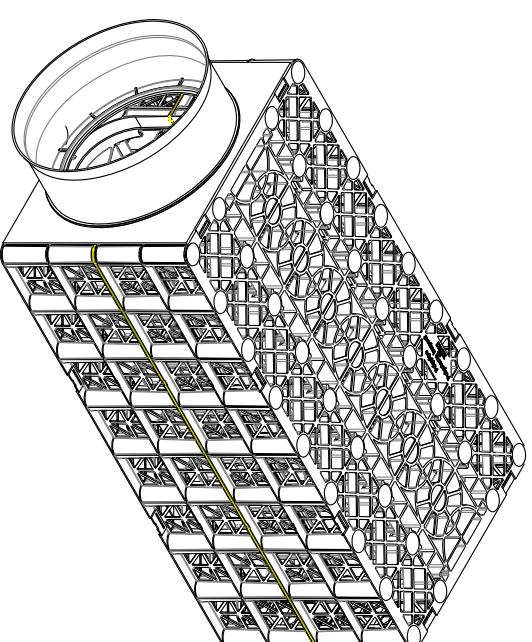
- PSM4CRDD225
- PSM4CRD300

POLYSTORM TABLE - CELL COMPLETE WITH COUPLER										
NAME	CODE	LENGTH (mm)	HEIGHT (mm)	HEIGHT (mm)	A (mm)	B (mm)	VERTICAL STRENGTH (kN/m ²)	LATERAL STRENGTH (kN/m ²)	COLOUR	MATERIAL
Polystorm Inspect	PSM4CRDD225	1000	500	400	60	135	440	63	Grey	Prime Polypropylene
Polystorm Inspect	PSM4CRD300	1000	500	400	60	146	440	63	Grey	Prime Polypropylene



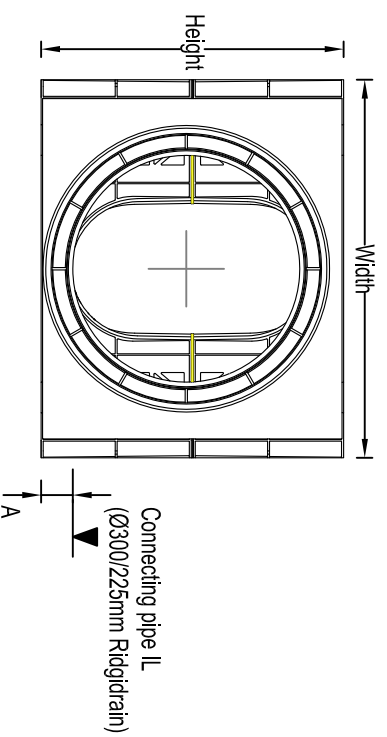
PLAN VIEW

Scale 1:10



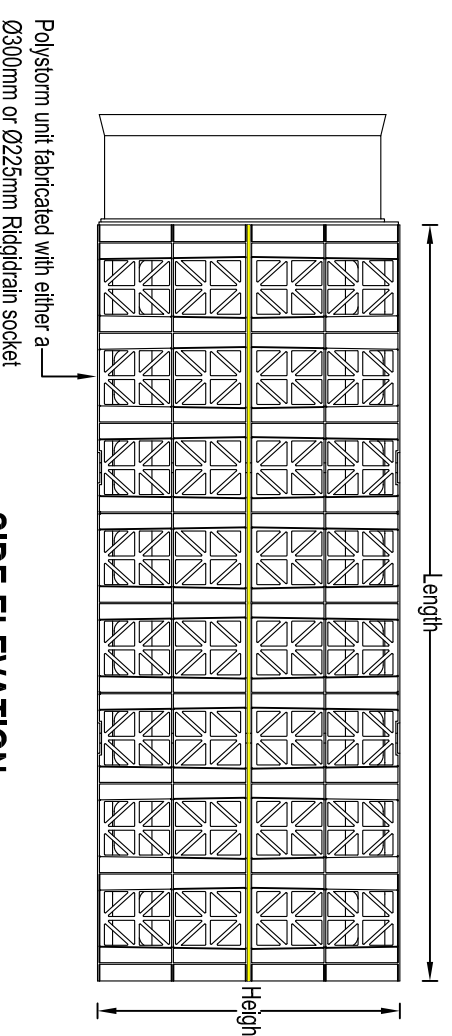
ISOMETRIC VIEW

Scale 1:10



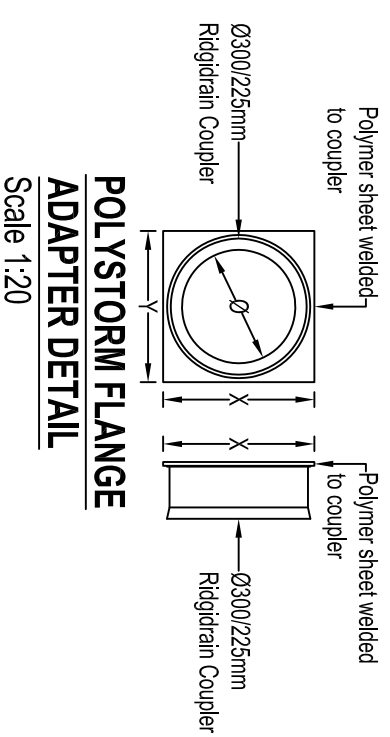
END ELEVATION

Scale 1:10



SIDE ELEVATION

Scale 1:10



POLYSTORM FLANGE ADAPTER DETAIL

Scale 1:20

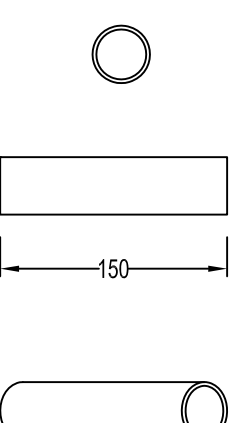
POLYSTORM FLANGE ADAPTER TABLE			
FLANGE CODE	Ø (mm)	X (mm)	Y (mm)
PSMFA225	225	385	450
PSMFA300	300	385	450

* Flange adapters are compatible with the PSM1, PSM1A & PSM2 cells.
* Consideration to hydraulic performance should be taken when using a flange adapter.



POLYSTORM CLIP

Scale 1:5



POLYSTORM SHEAR CONNECTOR

Scale 1:5

POLYSTORM SYSTEM NOTES

- PSMCRD units may be used in place of Polystorm Inspect unit where a larger connection is required compared to the standard unit.

NOTES

- All dimensions in millimetres, unless otherwise stated.
- All dimensions are nominal and may vary within manufacturing or construction tolerances.
- All site temporary and enabling works by others.
- Polypipe products to be installed in accordance with Polypipe civils recommendations (refer to Polypipe technical guidance for further information), giving due consideration to the requirements of the organisation who will be taking ultimate ownership of the installation.
- This drawing is intended for guidance only. Confirmation of the information contained within this document should be sought from the consulting engineers before final design or construction activities commence.

The information in this document is of an illustrative nature and is supplied by Polypipe Civils without charge. This document does not form the whole or any part of a contract or intended contract with the user. The information within this document should not be solely relied upon to determine the suitability or installation requirements of our products for a proposed application and expected site conditions; expert advice should be sought in this respect. Final determination of the suitability of any information or material for the use contemplated and the manner of use is the sole responsibility of the user and the user must assume all risk and liability in connection therewith. Further information with regard to liabilities may be found at www.polypipe.com/disclaimer.



Polypipe Civils

Charnwood Business Park,
North Road, Loughborough,
Leicestershire, LE11 1LE

Tel: 01509 615100
Fax: 01509 615215
www.polypipe.com/civils
www.polypipe.com/wms

PROJECT

POLYSTORM STANDARD DETAILS

STATUS FOR INFORMATION

TITLE POLYSTORM INSPECT CONNECTION DETAIL

DATE	DRAWN BY
17/03/16	JL
ORIGINAL SIZE	SCALE
A3	AS SHOWN
DRAWING NO.	REV.
PSM_SD_006	