

HAPAS

Polypipe Ltd

t/a Polypipe Civils and Green Urbanisation

Charnwood Business Park
North Road
Loughborough
Leicestershire LE11 1LE

Tel: 01509 615100 Fax: 01509 265945

e-mail: civilsales@polypipe.com

website: www.polypipe.com



HAPAS Certificate

13/H205

Product Sheet 1

POLYPIPE DUCTING SYSTEMS

RIDGIDUCT TWIN-WALLED HIGH DENSITY POLYETHYLENE DUCTING

This HAPAS Certificate Product Sheet⁽¹⁾ is issued by the British Board of Agrément (BBA), supported by Highways England (HE) (acting on behalf of the Overseeing Organisations of the Department for Transport; Transport Scotland; the Welsh Government and the Department for Infrastructure, Northern Ireland), the Association of Directors of Environment, Economy, Planning and Transport (ADEPT), the Local Government Technical Advisers Group and industry bodies. HAPAS Certificates are normally each subject to a review every three years.

(1) Hereinafter referred to as 'Certificate'.

This Certificate relates to Ridgiduct Twin-Walled High Density Polyethylene Ducting, for use in highways as underground ducting for electricity, gas and water supply services, and for street lighting cables and fibre-optic cabling for telecommunications.

CERTIFICATION INCLUDES:

- factors relating to compliance with HAPAS requirements
- factors relating to compliance with Regulations where applicable
- independently verified technical specification
- assessment criteria and technical investigations
- design considerations
- installation guidance
- regular surveillance of production
- formal three-yearly review.



KEY FACTORS ASSESSED

Strength — the products have adequate strength for the intended application (see section 6).

Performance of joints — the joints in the product have an adequate degree of resistance to solid foreign objects and the ingress of water (see section 7).

Resistance to elevated temperatures — the products have adequate resistance to long-term deformation at an elevated temperature of 45°C (see section 8).

Resistance to chemicals — the products are expected to have adequate resistance to attack from chemicals likely to occur in soils and groundwater (see section 9).

Durability — The material from which the ducts are manufactured will have an anticipated service life in excess of 50 years (see section 11).



The BBA has awarded this Certificate to the company named above for the products described herein. These products have been assessed by the BBA as being fit for their intended use provided they are installed, used and maintained as set out in this Certificate.

On behalf of the British Board of Agrément

Date of Third issue: 3 June 2021

Originally certificated on 14 November 2013

Hardy Giesler
Chief Executive Officer

The BBA is a UKAS accredited certification body – Number 113.

*The schedule of the current scope of accreditation for product certification is available in pdf format via the UKAS link on the BBA website at www.bbacerts.co.uk
Readers MUST check the validity and latest issue number of this Agrément Certificate by either referring to the BBA website or contacting the BBA directly.
Any photographs are for illustrative purposes only, do not constitute advice and should not be relied upon.*

British Board of Agrément

Bucknalls Lane
Watford
Herts WD25 9BA

tel: 01923 665300
clientservices@bbacerts.co.uk
www.bbacerts.co.uk

©2021

Requirements

In the opinion of the BBA, Ridgiduct Twin-Walled High Density Polyethylene Ducting, when used in accordance with the provisions of this Certificate, will meet or contribute to meeting the requirements of the *Manual of Contract Documents for Highways Works (MCHW)*⁽¹⁾, Volume 1 *Specification for Highways Works (SHW)* and Volume 2 *Notes for Guidance on the Specification for Highway Works*.

Further requirements are contained in Volume 3, and additional site requirements may be included on particular contracts.

(1) The MCHW is operated by the Overseeing Organisations: Highways England (HE), Transport Scotland, the Welsh Government and the Department for Infrastructure (Northern Ireland).

Regulations

Construction (Design and Management) Regulations 2015 Construction (Design and Management) Regulations (Northern Ireland) 2016

Information in this Certificate may assist the client, designer (including Principal Designer) and contractor (including Principal Contractor) to address their obligations under these Regulations.

See section: 3 *Delivery and site handling* (3.1) of this Certificate.

Technical Specification

1 Description

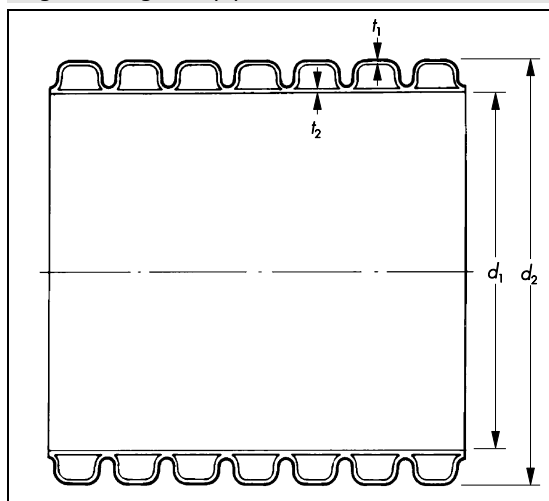
1.1 Ridgiduct Twin-Walled High Density Polyethylene Ducting comprises twin-walled high density polyethylene (HDPE) ducts and polypropylene (PP) couplers.

1.2 The outer wall of the ducts is corrugated and the inner wall is smooth finished. Details and dimensions are given in Table 1 and Figure 1.

Table 1 Duct dimensions

| Manufacturer's Code No | Internal diameter (d_1) (mm) | External diameter (d_2) (mm) | Min Outer Thickness t_1 (mm) | Min Inner Thickness t_2 (mm) | Length (m) |
|------------------------|----------------------------------|----------------------------------|--------------------------------|--------------------------------|---------------|
| RB 94 | 94 | 110 | 0.6 | 0.45 | 1, 2, 3 and 6 |
| RB 100 | 100 | 118 | 0.8 | 0.7 | 1, 2, 3 and 6 |
| RB 125 | 125 | 148 | 0.8 | 0.7 | 1, 2, 3 and 6 |
| RB 150 | 150 | 178 | 0.7 | 0.8 | 1, 2, 3 and 6 |

Figure 1 Ridgiduct pipe



1.3 The ducts are available in black, purple, orange, green, blue and yellow⁽¹⁾. The colour coding is in accordance with NJUG⁽²⁾ guidelines. The ducts are marked appropriately in accordance with the customer's requirements and the specification listed in BS EN 61386-24 : 2010.

(1) Other colours are available to special order.

(2) National Joint Utilities Group (NJUG).

1.4 A black PP coupler is used to join the ducts. Details of size are given in Table 2 and Figures 2 and 3.

Table 2 Coupler dimensions

| Coupler type | Internal diameter (d_1) (mm) | Internal diameter (d_2) (mm) | External diameter (d_3) (mm) | L (mm) | t (mm) |
|--------------|----------------------------------|----------------------------------|----------------------------------|--------|--------|
| 94 | 111.60 | 111.25 | 114.5 | 100.00 | 2.0 |
| 100 | 117.5 | 119.40 | 125.0 | 97.25 | 2.5 |
| 125 | 147.5 | 148.25 | 155.0 | 101.60 | 2.5 |
| 150 | 177.0 | 178.50 | 185.0 | 123.00 | 2.5 |

Figure 2 94 mm coupler

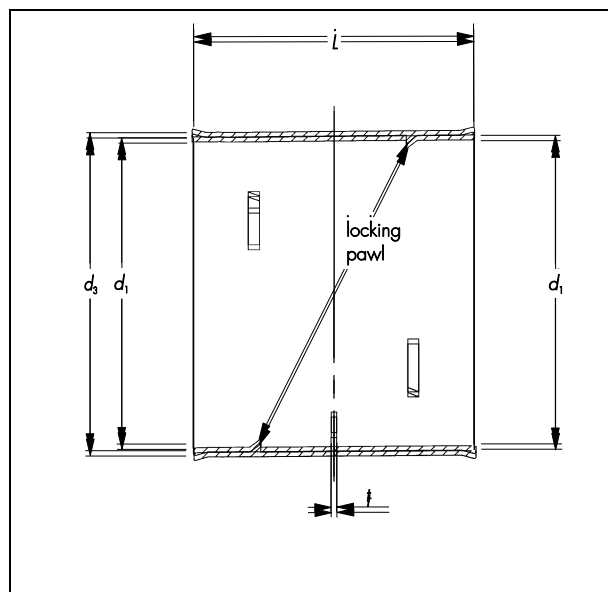
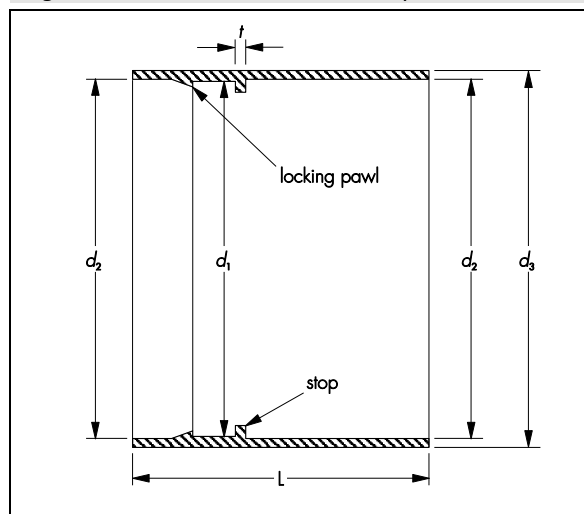


Figure 3 100, 125 and 150 mm couplers



2 Manufacture

2.1 The ducts are manufactured from HDPE by a twin-extrusion process. Two pipes are extruded simultaneously, one inside the other, and heat-welded together in one continuous process.

2.2 The couplers are manufactured from PP using a conventional injection moulding technique.

2.3 As part of the assessment and ongoing surveillance of product quality, the BBA has:

- agreed with the manufacturer the quality control procedures and product testing to be undertaken
- assessed and agreed the quality control operated over batches of incoming materials
- monitored the production process and verified that it is in accordance with the documented process
- evaluated the process for management of nonconformities
- checked that equipment has been properly tested and calibrated
- undertaken to carry out the above measures on a regular basis through a surveillance process, to verify that the specifications and quality control being operated by the manufacturer are being maintained.

2.4 The management system of Polypipe Civils has been assessed and registered as meeting the requirements of BS EN ISO 9001 : 2015 and BS EN ISO 14001 : 2015 and BS ISO 45001 : 2018 by BSI (Certificates Q06225, EMS 535794 and OHS 73211 respectively).

3 Delivery and site handling

3.1 The ducts are delivered to site packed in wooden support frames secured with metal and plastic strappings. Each wooden support frame includes the following quantities per pack:

- RB 94 95
- RB 100 85
- RB 125 46
- RB 150 36.

3.2 The ducts are printed with “Electric Cable Duct”, “Motorway Communication” or Ridgiduct Traffic Signals”, as appropriate, in white on both sides of the duct three times every metre or in accordance with the customer’s requirements.

3.3 The ducts and couplers have good resistance to UV degradation but, to avoid damage or deterioration in storage, it is recommended that the ducts be protected from direct sunlight. However, if this is unavoidable, the following mechanism of deterioration should be considered:

- up to 3 months — daily exposure to direct sunlight will cause negligible UV degradation but extreme surface temperatures of up to 80°C are possible on exposed surfaces and may cause some localised distortion
- 3 to 12 months — daily exposure to direct sunlight may have a significant effect on the impact resistance and physical properties of the duct
- over 12 months — daily exposure to direct sunlight will damage the duct and should be avoided.

Assessment and Technical Investigations

The following is a summary of the assessment and technical investigations carried out on Ridgiduct Twin-Walled High Density Polyethylene Ducting.

Design Considerations

4 Use

4.1 Ridgiduct Twin-Walled High Density Polyethylene Ducting, when installed in accordance with the recommendations given in this Certificate, is suitable for use in highways as underground ducting for electricity, gas and water supply services, and for street lighting cables and fibre optic cabling for cable television and telecommunications.

4.2 Jointing of the ducts with the couplers produces a system with protection against penetration by solid foreign objects of 2.5 mm diameter or greater, ie an IP rating of 3 (first characteristic numeral) to BS EN 60529 : 1992.

4.3 When used with an optional sealed coupling (available from the Certificate holder) and elastomeric seal (both of which are outside the scope of this Certificate), Ridgiduct RB 94, RB 100 and RB 150 are suitable for motorway communication applications as a sealed system with a rating of IP67 as given in BS EN 60529 : 1992.

5 Practicability of installation

5.1 The ducts are designed to be installed by a competent general builder, or a contractor, experienced with these types of products.

5.2 The ducts have a smooth internal surface and a static coefficient of less than 0.22 in accordance with ENA TS 12-24. The ducts and their joints do not present any internal projection or impedance to the installation or withdrawal of cables through the duct run.

6 Strength

6.1 The ducts have adequate robustness to resist the loads associated with installation and with subsequent use in situations described in this Certificate.

6.2 The ducts can be used as an alternative to the plastic pipes listed in the MCHW, Volume 1, Series 500, Table 5/2 *Pipes for Ducts*.

6.3 The ducts will have adequate resistance to the impact loads normally encountered during handling and installation. The ducts satisfy the resistance to impact requirements defined as 'normal duty' and the resistance to compression requirements defined in 'type 450' of BS EN 61386-24 : 2010.

7 Performance of joints

The joints achieve an ingress rating of IP67 in accordance with BS EN 60529 : 1992 (see also sections 1.5 and 1.6 of this Certificate), and therefore satisfy the requirements of the MCHW, Volume 1, Series 500 and 1500.

8 Resistance to elevated temperatures

8.1 The maximum temperature to which the ducts and couplers will be subject in service as an electrical cable duct is dependent on the ground thermal conductivity, depth of burial, ground temperature and the heat load imposed by the electrical cable.

8.2 In general, cables with a surface temperature of up to 60°C will not affect the integrity of the ducts. For example, in a typical installation with a 300 mm² copper cable carrying a current of 600 amps imposing a heat load of 25 W·m⁻¹, the cable would have a surface temperature of 60°C; this would result in a mean internal duct temperature of 45°C.

8.3 The ducts have adequate resistance to long-term deformation at an elevated temperature of 45°C.

9 Resistance to chemicals

The HDPE used to manufacture the ducts and the PP used to manufacture the couplers, are expected to have an adequate resistance to the types and levels of chemicals likely to occur in soils and groundwater in civil engineering applications.

10 Maintenance

As the ducts are buried and have suitable durability (see section 11), maintenance is not required.

11 Durability

The material from which the ducts are manufactured will not significantly deteriorate and will have an anticipated service life in excess of 50 years.

12 Reuse and Recyclability

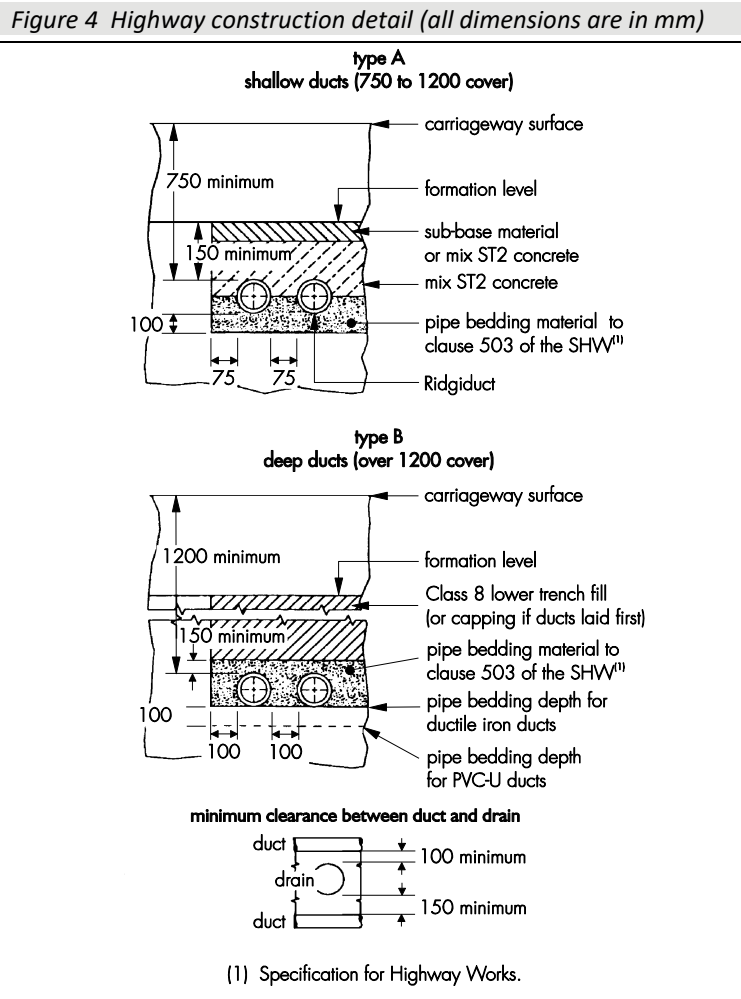
The ducts and couplers are manufactured from polyethylene and polypropylene respectively, which can be recycled.

Installation

13 General

13.1 Ridgiduct Twin-Walled High Density Polyethylene Ducting must be installed in accordance with this Certificate and any additional site requirements (see section 4).

13.2 The general requirements are to be in accordance with the MCHW, Volume 3, as shown in Figure 4.



13.3 Ducting laid in depths of cover other than those specified in Figure 4 must be laid in accordance with the procedures described in the contract with Highways England (HE).

13.4 The ducts must be adequately protected against damage from site construction traffic and from agricultural or similar operations.

13.5 When used as ducts for fibre optic cabling, the recommendations in the MCHW, Volume 1, Series 1500, Clause 1531, should be followed.

14 Procedure

14.1 Joints are made by a simple push-fit of one duct length into the coupler attached to the adjacent length, ensuring that the connection is fully made.

14.2 Inspection points can be made in the conventional manner depending upon the type of services to be installed.

Technical Investigations

15 Tests

As part of the assessment leading to the issue of this Certificate, tests were carried out to determine:

- dimensional accuracy
- resistance to compression
- impact strength at -5°C
- Vicat for PVC-U
- static friction coefficient
- adhesion of printing
- resistance to long-term deformation
- resistance to penetration of simulated sharp aggregate
- resistance to sharp objects
- watertightness of joints
- degree of protection against foreign objects
- creep ratio
- degrees of protection by enclosure.

16 Investigations

16.1 An examination was made of data relating to:

- chemical resistance
- ease of jointing
- heat dissipation
- effect of temperature
- practicability of installation
- material properties
- durability
- visual examination.

16.2 The manufacturing process was evaluated, including the methods adopted for quality control, and details were obtained of the quality and composition of the materials used.

Bibliography

- BS EN 60529 : 1992 + A2 : 2013 *Specification for degrees of protection provided by enclosures (IP code)*
- BS EN 61386-24 : 2010 *Conduit systems for cable management — Particular requirements — Conduit systems buried underground*
- BS EN ISO 9001 : 2015 *Quality management systems — Requirements*
- BS EN ISO 14001 : 2015 *Environmental management system — Requirements*
- BS ISO 45001 : 2018 *Occupational health and safety management systems — Requirements with guidance for use*
- ENA (Energy Networks Association) TS 12-24 - Issue 3 (2014) - *Technical specification for plastic ducts for buried electric*
- Manual of Contract Documents for Highway Works, Volume 1 *Specification for Highway Works*
- Manual of Contract Documents for Highway Works, Volume 2 *Notes for Guidance on the Specification for Highway Works*
- Manual of Contract Documents for Highway Works, Volume 3 *Highway Construction Details*
- National Joint Utilities Group (NJUG), Volume 1 - Issue 9 (2018) - *Guidelines on the Positioning and Colour Coding of Underground Utilities' Apparatus*

17 Conditions

17.1 This Certificate:

- relates only to the product/system that is named and described on the front page
- is issued only to the company, firm, organisation or person named on the front page – no other company, firm, organisation or person may hold claim that this Certificate has been issued to them
- is valid only within the UK
- has to be read, considered and used as a whole document – it may be misleading and will be incomplete to be selective
- is copyright of the BBA
- is subject to English Law.

17.2 Publications, documents, specifications, legislation, regulations, standards and the like referenced in this Certificate are those that were current and/or deemed relevant by the BBA at the date of issue or reissue of this Certificate.

17.3 This Certificate will remain valid for an unlimited period provided that the product/system and its manufacture and/or fabrication, including all related and relevant parts and processes thereof:

- are maintained at or above the levels which have been assessed and found to be satisfactory by the BBA
- continue to be checked as and when deemed appropriate by the BBA under arrangements that it will determine
- are reviewed by the BBA as and when it considers appropriate.

17.4 The BBA has used due skill, care and diligence in preparing this Certificate, but no warranty is provided.

17.5 In issuing this Certificate the BBA is not responsible and is excluded from any liability to any company, firm, organisation or person, for any matters arising directly or indirectly from:

- the presence or absence of any patent, intellectual property or similar rights subsisting in the product/system or any other product/system
- the right of the Certificate holder to manufacture, supply, install, maintain or market the product/system
- actual installations of the product/system, including their nature, design, methods, performance, workmanship and maintenance
- any works and constructions in which the product/system is installed, including their nature, design, methods, performance, workmanship and maintenance
- any loss or damage, including personal injury, howsoever caused by the product/system, including its manufacture, supply, installation, use, maintenance and removal
- any claims by the manufacturer relating to CE marking.

17.6 Any information relating to the manufacture, supply, installation, use, maintenance and removal of this product/system which is contained or referred to in this Certificate is the minimum required to be met when the product/system is manufactured, supplied, installed, used, maintained and removed. It does not purport in any way to restate the requirements of the Health and Safety at Work etc. Act 1974, or of any other statutory, common law or other duty which may exist at the date of issue or reissue of this Certificate; nor is conformity with such information to be taken as satisfying the requirements of the 1974 Act or of any statutory, common law or other duty of care.